



## COOLEEDGE LUMINOUS CEILINGS FABRICATED LUMINAIRES - SURFACE MOUNT: SPECIFICATIONS

PROJECT		REFERENCE TYPE	
SPECIFIED BY		QUANTITY	
DATE		NOTE	Luminous Ceilings

### DESCRIPTION

Cooledge **FABRICated Luminaires** are a simple, out-of-the-box way to incorporate the unique look and feel of a stretch fabric ceiling into your space. Maintain the volume of space while bringing the feeling of the outdoors inside to areas where recessed or suspended luminaires are not practical.

Surface mount luminaires deliver immersive illumination for:

- Areas with low ceiling height
- Corridors
- Boardrooms and meeting spaces
- Multi-family residential



Features Cooledge's unique "Infinity Edge" design for uniform illumination from edge to edge.

### SIZES

Nominal Size (Imperial - ft)
4 x 6
4 x 8
4 x 10
5 x 5
6 x 6
6 x 8
6 x 9

### GENERAL

Location	Indoor, dry location only
Operating Temperature	0 – 40°C (32 – 104°F)
Storage Temperature	-40 – +85°C (-40 – +185°F)
Relative Humidity	90% max (non-condensing)
Operating Voltage	58 VDC
Diffuser Material	Woven Fabric (coated)
Frame Material	Aluminum
Fire Rating	ASTM E 84 Class A /EN:3501-1 Class B
Noise Reduction Coefficient (NRC)	Standard: 0.2 (ISO Class E)



**RoHS**



Contact Cooledge for ordering information for JA8 compliant models.

Cooledge Lighting Inc.  
110-13551 Commerce Parkway  
Richmond, BC V6V 2L1 Canada

O +1 604 273 2665  
F +1 604 273 2660  
T +1 844 455 4448  
W [cooledgelighting.com](http://cooledgelighting.com)

Cooledge Lighting reserves the right to change materials or modify the design of its product without notification as part of the company's continuing product improvement program.

# COOLEGE LUMINOUS CEILINGS FABRICATED LUMINAIRES - SURFACE MOUNT: SPECIFICATIONS

## PHOTOMETRICS

Nominal Size (Imperial - ft)	Flux (lm)		
	Extra High Flux (XHF)	High Flux (HF)	Medium Flux (MF)
4 x 6	13290	8860	4430
4 x 8	18150	12100	6050
4 x 10	22720	15150	7570
5 x 5	14010	9340	4670
6 x 6	23560	15700	7850
6 x 8	31650	21100	10550
6 x 9	35440	23630	11810

CRI (Ra)	>90
Color Uniformity (Typical)	2 SDCM
Lumen Maintenance (L80)	75,000 hr

### TM-30-15 DATA

CCT	TNW*	3000	3500	4000
Rf	90	89	88	85
Rg	99	97	97	95

For more details about **FABRICated Luminaires** color rendering properties, please see "Light Quality Metrics" at [www.cooledgelighting.com](http://www.cooledgelighting.com)

\*TNW = Tunable White

## POWER

Nominal Size (ft)	CCT	Extra High Flux (HF)	High Flux (HF)	Medium Flux (MF)
		Power (W)	Power (W)	Power (W)
4 x 6	TNW	223.8	149.2	72.0
	3000K	214.8	144.1	69.5
	3500K	210.9	140.2	68.2
	4000K	207.1	136.3	66.9
4 x 8	TNW	299.1	199.5	96.3
	3000K	287.1	192.5	92.8
	3500K	281.9	187.4	91.1
	4000K	276.8	182.2	89.4
4 x 10	TNW	374.5	249.7	120.5
	3000K	359.4	241.0	116.2
	3500K	353.0	234.6	114.1
	4000K	346.5	228.1	111.9
5 x 5	TNW	233.4	155.6	75.1
	3000K	224.0	150.2	72.4
	3500K	219.9	146.2	71.1
	4000K	215.9	142.2	69.7

Nominal Size (ft)	CCT	Extra High Flux (HF)	High Flux (HF)	Medium Flux (MF)
		Power (W)	Power (W)	Power (W)
6 x 6	TNW	384.1	256.1	123.6
	3000K	368.7	247.3	119.2
	3500K	362.1	240.6	117.0
	4000K	355.4	234.0	114.8
6 x 8	TNW	505.3	336.9	162.6
	3000K	485.0	325.3	156.8
	3500K	476.3	316.6	153.9
	4000K	467.6	307.8	151.0
6 x 9	TNW	565.9	377.3	182.1
	3000K	543.2	364.3	175.6
	3500K	533.4	354.5	172.4
	4000K	523.6	344.8	169.1

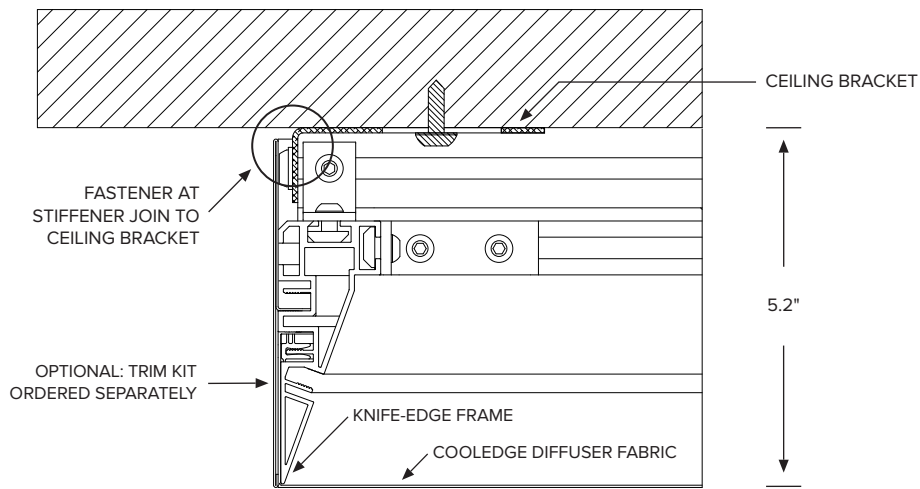
# COOLEdge LUMINOUS CEILINGS FABRICATED LUMINAIRES - SURFACE MOUNT: SPECIFICATIONS

## DIMENSIONS

Nominal Size (Imperial - ft)	Order Code	External Dimensions (in)		Weight (lb)	# Mounting Points
		W	L		
4 x 6	46	46.5	74.8	52	6
4 x 8	48	46.5	93.7	57	6
4 x 10	410	46.5	117.3	76	8
5 x 5	55	58.3	58.3	40	6
6 x 6	66	74.8	74.8	68	6
6 x 8	68	74.8	93.7	81	8
6 x 9	69	74.8	110.2	88	8

Height = 5.2in

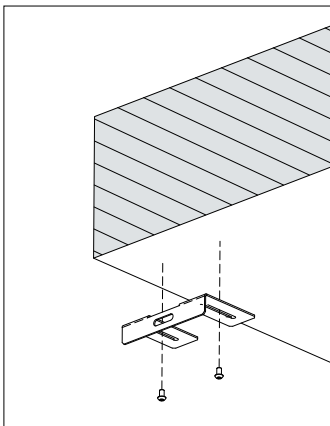
## MOUNTING DETAILS



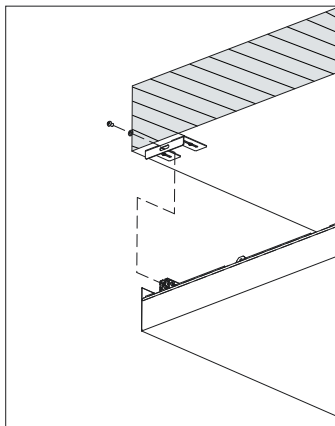
X-section showing Surface Mount

## BRACKET DETAIL

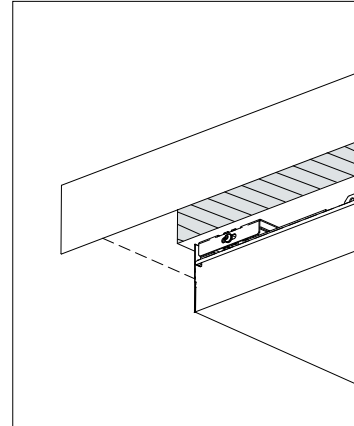
1. REMOVE TRIM/FASCIA



2. ATTACH CEILING BRACKET



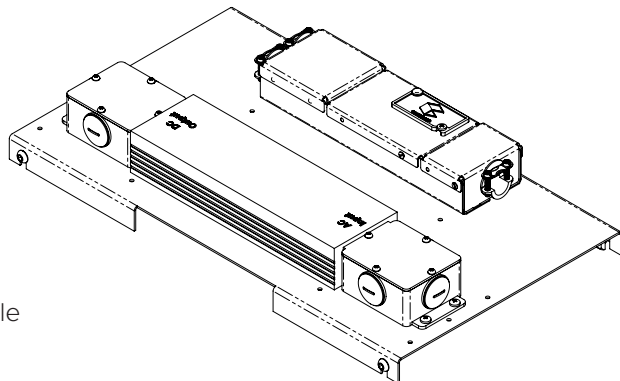
3. USE FASTENER TO SECURE LUMINAIRE TO CEILING BRACKET



4. REPLACE TRIM/FASCIA

# COOLEdge LUMINOUS CEILING FABRICATED LUMINAIREs - SURFACE MOUNT: SPECIFICATIONS

## POWER AND CONTROL MOUNTING



Power Supply with  
Cooledge Control Module

Actual power & control  
configuration is determined  
by the luminaire model.

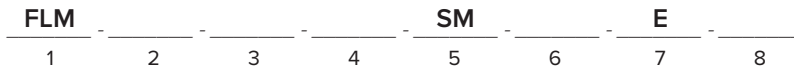
**Power & Control Mounting Plate**  
(shipped in a separate package)

Surface Mount FABRICated Luminaires require that the power and control components be remote mounted:

- **Remote Mounted:** the mounting plate is to be located remotely in a location that is suitable for AC electrical connection or for maintenance access (see [www.cooledgelighting.com](http://www.cooledgelighting.com) or contact Cooledge for remote distance wiring requirements)

**Mounting Plate Dimensions:** 16.5" x 9.4"

## HOW TO ORDER



### Static CCT

1 PRODUCT	2 NOM. SIZE	3 FLUX	4 CCT	5 MOUNTING	6 DIMMING	7 NRC	8 CERTIFICATION
FLM = FABRICated Luminaire - Surface Mount	46 = 4x6 48 = 4x8 410 = 4x10 55 = 5x5 66 = 6x6 68 = 6x8 69 = 6x9	HF = High Flux MF = Med Flux XHF = Extra High Flux	30 = 3000K 35 = 3500K 40 = 4000K	SM = Surface Mount	010 = 0-10V (1%) DAL = DALI/0-10V (0.05%) DMX = DMX (0.05%) CAS = Casambi (Wireless – 0.05%)	E = 0.2	U = cUL C = CE

### Tunable White

1 PRODUCT	2 NOM. SIZE	3 FLUX	4 CCT	5 MOUNTING	6 DIMMING	7 NRC	8 CERTIFICATION
FLM = FABRICated Luminaire - Surface Mount	46 = 4x6 48 = 4x8 410 = 4x10 55 = 5x5 66 = 6x6 68 = 6x8 69 = 6x9	HF = High Flux MF = Med Flux XHF = Extra High Flux	TNW = Tunable White (2700K -5700K)	SM = Surface Mount	DAL = DALI/0-10V (0.05%) DMX = DMX (0.05%) CAS = Casambi (Wireless – 0.05%)	E = 0.2	U = cUL C = CE

# COOLEEDGE LUMINOUS CEILINGS

## FABRICATED LUMINAIRES - SURFACE MOUNT: SPECIFICATIONS

### TRIM KITS (OPTIONAL)

Cooledge FABRICated Luminaires are available with 3 finishing options:

1. Metal Trim/Fascia: for applications where the texture of the finish will be highly visible
2. Plastic Trim/Fascia: budget friendly alternative for typical mounting height applications
3. No Trim/Fascia: fabric diffuser is visible on the sides for a true Infinity Edge

### HOW TO ORDER

Nominal Size (ft)	FABRICated Luminaire Models	Material	Color	Order Code
4 x 6	FLM-46	Metal	White	FL-TRM-46-MTL-WHT-K
			Black	FL-TRM-46-MTL-BLK-K
		Plastic	White	FL-TRM-46-PLS-WHT-K
			Black	FL-TRM-46-PLS-BLK-K
4 x 8	FLM-48	Metal	White	FL-TRM-48-MTL-WHT-K
			Black	FL-TRM-48-MTL-BLK-K
		Plastic	White	FL-TRM-48-PLS-WHT-K
			Black	FL-TRM-48-PLS-BLK-K
4 x 10	FLM-410	Metal	White	FL-TRM-410-MTL-WHT-K
			Black	FL-TRM-410-MTL-BLK-K
		Plastic	White	FL-TRM-410-PLS-WHT-K
			Black	FL-TRM-410-PLS-BLK-K
5 x 5	FLM-55	Metal	White	FL-TRM-55-MTL-WHT-K
			Black	FL-TRM-55-MTL-BLK-K
		Plastic	White	FL-TRM-55-PLS-WHT-K
			Black	FL-TRM-55-PLS-BLK-K
6 x 6	FLM-66	Metal	White	FL-TRM-66-MTL-WHT-K
			Black	FL-TRM-66-MTL-BLK-K
		Plastic	White	FL-TRM-66-PLS-WHT-K
			Black	FL-TRM-66-PLS-BLK-K
6 x 8	FLM-68	Metal	White	FL-TRM-68-MTL-WHT-K
			Black	FL-TRM-68-MTL-BLK-K
		Plastic	White	FL-TRM-68-PLS-WHT-K
			Black	FL-TRM-68-PLS-BLK-K
6 x 9	FLM-69	Metal	White	FL-TRM-69-MTL-WHT-K
			Black	FL-TRM-69-MTL-BLK-K
		Plastic	White	FL-TRM-69-PLS-WHT-K
			Black	FL-TRM-69-PLS-BLK-K

## WELL STANDARD (V2)

Cooledge FABRICated Luminaires enhance the user experience of spaces by delivering immersive illumination that impacts not only the visual, but also the emotional and physiological, response of people. New standards that define requirements for promoting design that enhances well-being are emerging. One of those standards, WELL v2, includes 8 “features” for lighting design that define requirements for the quality and composition.

The following data is provided to assist designers in determining compliance with the WELL v2 standard when incorporating Cooledge FABRICated Luminaires in their design.

### Feature L03: Circadian Lighting Design

This feature requires a calculation of Equivalent Melanopic Lux (EML):

$$\text{EML} = \text{Photopic Lux} \times \text{Melanopic Ratio}$$

### Melanopic Ratio for FABRICated Luminaires

	TNW*	3000K	3500K	4000K
Melanopic Ratio**	0.704	0.517	0.620	0.779

\*Tunable White: 2700K @ 50% + 5700K @ 50%

\*\*Calculated using the IWBI Melanopic Ratio calculator

### Feature L04: Glare Control

This feature requires maximum values for different types of glare measurements.

Compliance requirement (d): Luminance < 10,000 cd/m<sup>2</sup> between 45°-90° from nadir

### Maximum Luminance for FABRICated Luminaires

	High Flux (HF)	Extra High Flux (XHF)
Maximum Luminance* (cd/m <sup>2</sup> )	1465	2200

\*Maximum occurs at 45°

### Feature L07: Electric Light Quality – Part 1 Ensure Color Rendering Quality

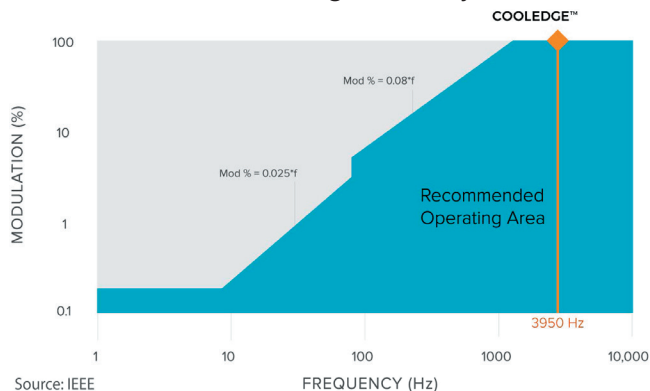
This feature requires minimum values for color rendering.

Compliance requirement (a): CRI > 90

### CRI (Ra) for FABRICated Luminaires

	TNW*	3000K	3500K	4000K
CRI (Ra)	96	93	93	93

### Feature L07: Electric Light Quality – Part 2 Manage Flicker



For LED-based luminaires, this feature requires specific values for the combination of frequency and modulation.

Compliance requirement: Meet IEEE 1789-2015 Standard Practice Recommendation

Source: IEEE